

Features

- Manual lever operated directional control valves
- Subplate mount type
- Robust design
- Multiple Spool Configurations
- With detent position hold or spring return



Ordering Details

V	Valve
S	Sub plate Mount
D-	Directional Valve
6-	Size (mounting Pattern)
C-	Spool Configuration
M-	Actuator Type: M= Manual Lever
S-	Shifting type
1	Series

Code	Size
6	NG6 (D03)
10	NG10 (D05)

Code	Description	Symbol 3 Position	Symbol 2 Position
S	Spring Return		
D	Detent Hold		

3 Position		2 Position
C	H	AP
T	T	AO
M	V	AC
O	D	BP
L	N	BO
Y	R	BC

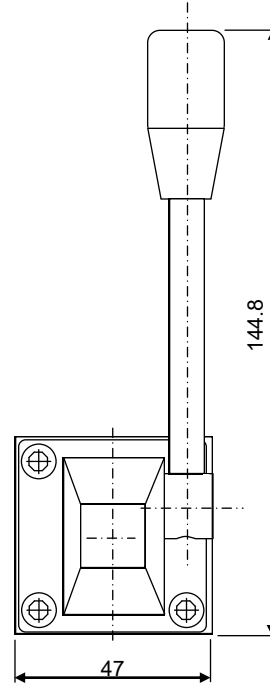
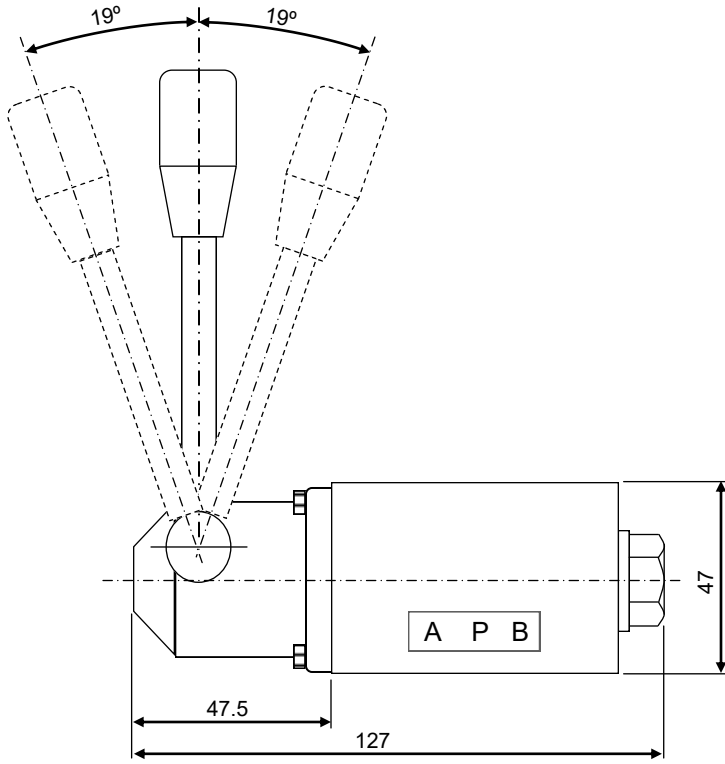
Example Part Number: VID-6-C-M-S-1

Technical data

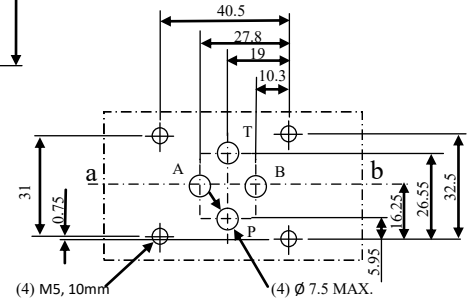
Size	Max. Flow lpm (gpm)	Max. Pressure, P, A, B port bar (psi)	Max. Pressure, T port bar (psi)	Weight Kg (lbs.) P, A and B Circuit	Seal Material	Fluid Recommendation	Working temperature	Oil Cleanliness
VID-6	60 (15.8)	315 (4567)	160 (2320)	1.62 (3.6)	NBR-Buna	Mineral Based, viscosity 2.8-500mm ² /s	-30 to +80°C (-22 to +176°F)	According to ISO4406 Class 20/18/15, NAS1638
VID-10	120 (31.6)	315 (4567)	160 (2320)	4.42 (9.7)				

Dimensions

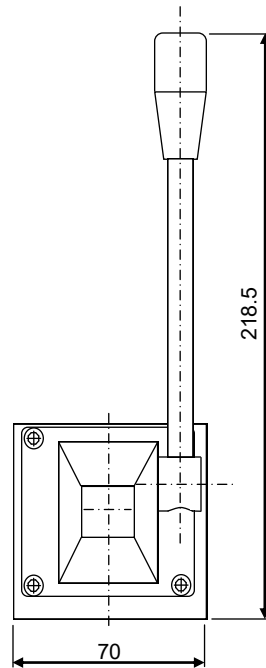
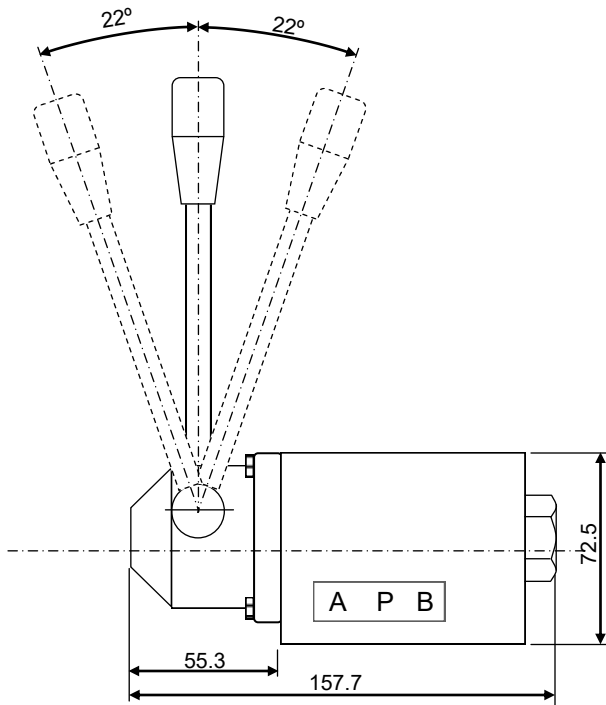
VID-6



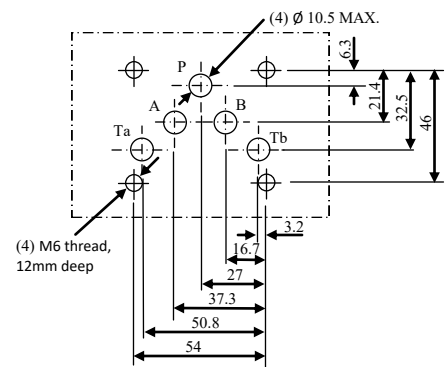
NG6 (D03) Mounting



VID-10



NG10 (D05) Mounting



Mating surface recommendation:

